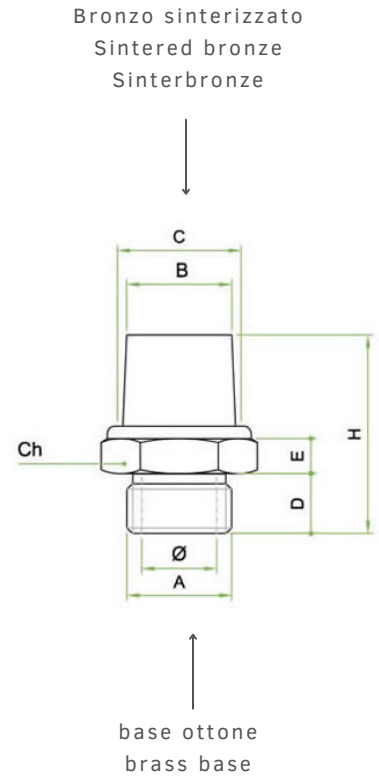




Silenziatore tronco cono in bronzo sferico sinterizzato su base esagonale
ottone
Filettatura GAS-BSP



Tipologia	codice	articolo	A	DIAM	B	C	D	E	H	CH
SEM/C	230	SEM / C M 5	M5	2,5	5,0	5,5	4,0	3,0	16	8
SEM/C	231	SEM / C 1/8	1/8"	6	8,0	8,5	6,0	4,0	20	13
SEM/C	232	SEM / C 1/4	1/4"	8,5	11,0	10,5	8,0	5,0	26	16
SEM/C	233	SEM / C 3/8	3/8"	11,5	12,5	13,0	8,0	5,0	29,5	19
SEM/C	234	SEM / C 1/2	1/2"	15	16,0	18,0	10,0	6,0	35	24
SEM/C	235	SEM / C 3/4	3/4"	20	22,0	25,5	10,0	6,0	39	30
SEM/C	236	SEM / C 1	1"	26	29,0	30,5	10,0	6,0	45	36

Unità di misura espressa in millimetri.