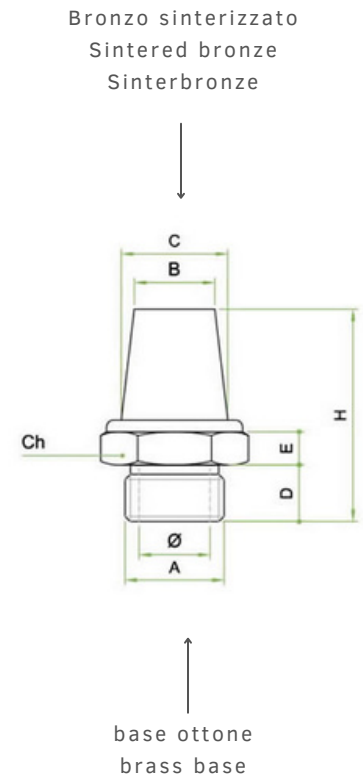




Silenziatore conico in bronzo sferico sinterizzato ribattuto su base
esagonale ottone
Filettatura GAS-BSP



Tipologia	codice	articolo	A	DIAM	B	C	D	E	H	CH
SEB/C	080	SEB/C M6	M6	2,5	3,0	4,0	3,5	3,0	17	8
SEB/C	119	SEB/C M7	M7	3	6,7	7,0	5,0	3,5	23	10
SEB/C	120	SEB/C M5	M5	2,5	3,0	4,0	3,5	3,0	17	8
SEB/C	120/M3	SEB/C M3	M3	1,1	3,5	4,5	5,0	3,0	18,5	8
SEB/C	121	SEB/C 1/8	1/8"	6	8,0	8,5	6,0	4,0	26	13
SEB/C	122	SEB/C 1/4	1/4"	8,5	9,0	10,5	8,0	5,0	34	16
SEB/C	123	SEB/C 3/8	3/8"	11,5	12,0	13,0	8,0	5,0	41	19
SEB/C	124	SEB/C 1/2	1/2"	15	16,0	18,0	10,0	6,0	46	24
SEB/C	125	SEB/C 3/4	3/4"	20	21,0	25,5	10,0	6,0	56	30
SEB/C	126	SEB/C 1	1"	26	26,5	30,5	10,0	6,0	66	36

Unità di misura espressa in millimetri.